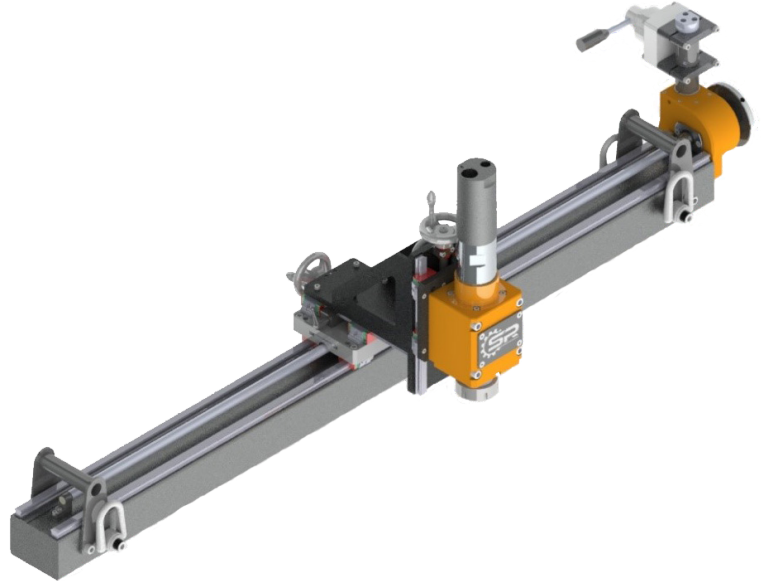




## Exchanger Mills

### ADVANTAGES

- Lightweight design helps eliminate lifting equipment, pinch points, and back strain
- Faster setup time than commonly used bulky milling machines
- Rail design produces a smooth and precise feed operation
- Pneumatic and Hydraulic motors available
- Base feed is controlled with a variable feed valve to optimize end mill tool life and cutting efficiency
- Every mill comes complete with all the necessary accessories needed to set up and run the mill
- Collets for shank sizes from 3/8" thru 1" diameter in 1/8" increments provided
- Lifting cables provided for use when needed for elevated work

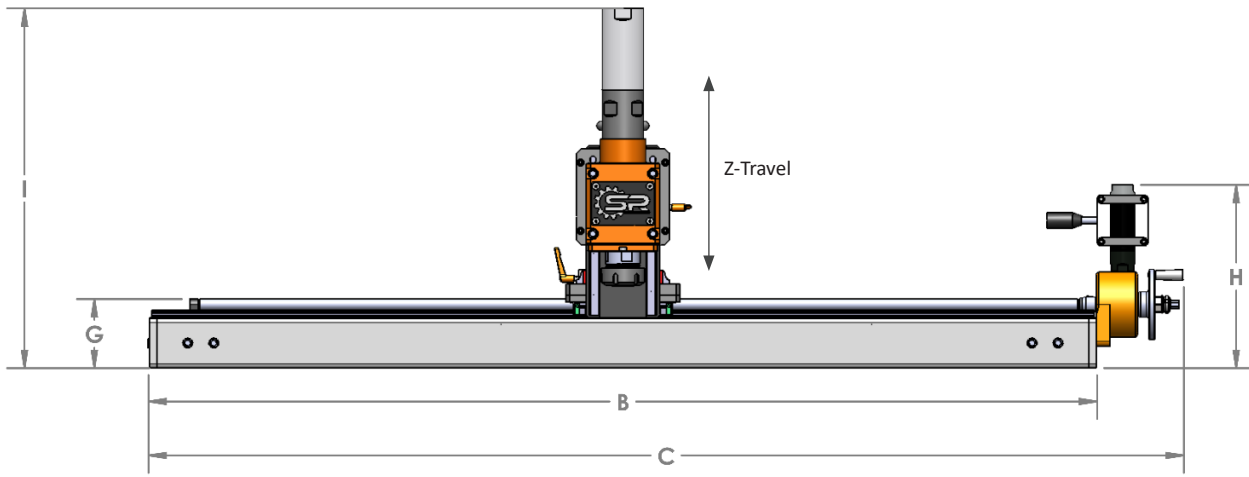
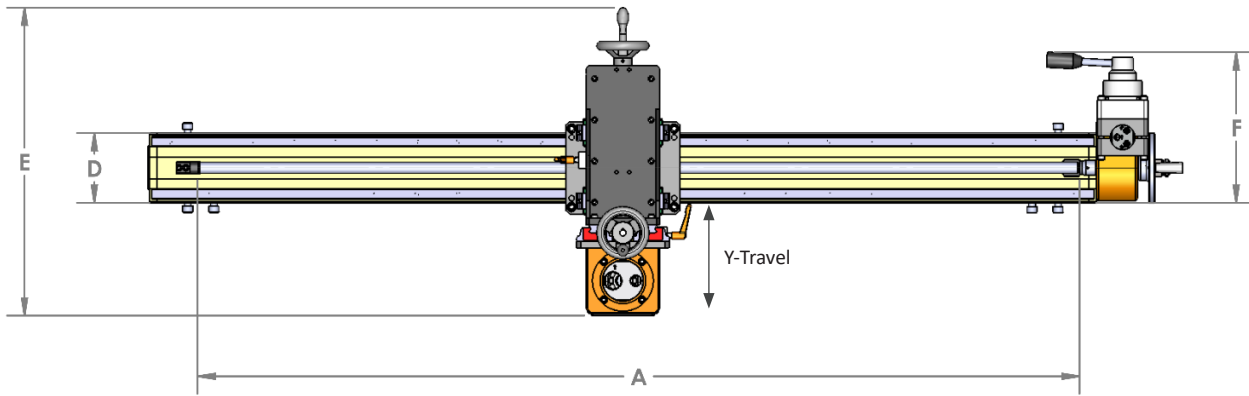


### APPLICATIONS

- Refineries
- Chemical Plants
- Shipyards
- Manufacturing Facilities
- Petro Chemical
- Oil and Gas
- Exchanger Shops
- U-tube bundles
- Fixed Exchangers
- Pass Partitions and Grooves

### PRODUCT DESCRIPTION

Superior's Exchanger Mills were built with the end user in mind. Designed to machine pass partitions and pass grooves on tube heat exchangers, with the ultimate goal of reducing weight, without sacrificing performance. With the lightweight design the machine allows the user to set up and align much easier than the heavier linear/fly cutting mills commonly used for exchanger applications. In turn, the job becomes easier on the technicians allowing the work performed to be completed faster, safer, and more cost effective.



Description	EXM-1.6	EXM-3.5	EXM-4	EXM-6	EXM-8
X-Travel Length (A)	20" (508 mm)	41.75" (1060.45 mm)	48" (1219.2 mm)	72" (1828.8 mm)	96" (2438.4 mm)
Y-Travel Length	3" (76.2 mm)	3" (76.2 mm)	3" (76.2 mm)	3" (76.2 mm)	3" (76.2 mm)
Z-Travel Length	4" (101.6 mm)	4" (101.6 mm)	4" (101.6 mm)	4" (101.6 mm)	4" (101.6 mm)
Length of Base (B)	26.625" (676.275 mm)	48" (1219.2 mm)	50.5" (1282.7 mm)	74.5" (1892.3 mm)	98.5" (2501.9mm)
Overall Length (C)	31.59" (802.386 mm)	53" (1346.2 mm)	59.75" (1517.65 mm)	83.325" (2116.455 mm)	107.325" (2726.055 mm)
Width of Base (D)	4" (101.6 mm)	4" (101.6 mm)	4" (101.6 mm)	4" (101.6 mm)	4" (101.6 mm)
Overall Width (E)	17.625" (447.675 mm)	17.625" (447.675 mm)	17.625" (447.675 mm)	17.625" (447.675 mm)	17.625" (447.675 mm)
Gearbox Width (F)	8.625" (219.075 mm)	8.625" (219.075 mm)	8.625" (219.075 mm)	8.625" (219.075 mm)	8.625" (219.075 mm)
Base Height (G)	4" (101.6 mm)	3" (76.2 mm)	4" (101.6 mm)	4" (101.6 mm)	4" (101.6mm)
Gearbox Height (H)	10.5" (266.7 mm)	9.5" (241.3 mm)	10.5" (266.7 mm)	10.5" (266.7 mm)	10.5" (266.7 mm)
Overall Height (I)	22" (558.8 mm)	20" (508 mm)	22" (558.8mm)	22" (558.8 mm)	22" (558.8 mm)
Machine Weight	108 lbs	150 lbs	160 lbs	170 lbs	180 lbs
Shipping Weight	353 lbs	410 lbs	450 lbs	650 lbs	850 lbs
Shipping Dimensions	25" (635 mm) x 29" (736.6 mm) x 44" (1117.6 mm)	22" (558.8 mm) x 23" (584.2 mm) x 57" (1447.8 mm)	22" (558.8 mm) x 23" (584.2 mm) x 66" (1676.4 mm)	22" (558.8 mm) x 23" (584.2 mm) x 89" (2260.6 mm)	22" (558.8 mm) x 23" (584.2 mm) x 112" (2844.8 mm)



833.447.3777



info@sprtool.com



sprtool.com

Follow us on social media:

